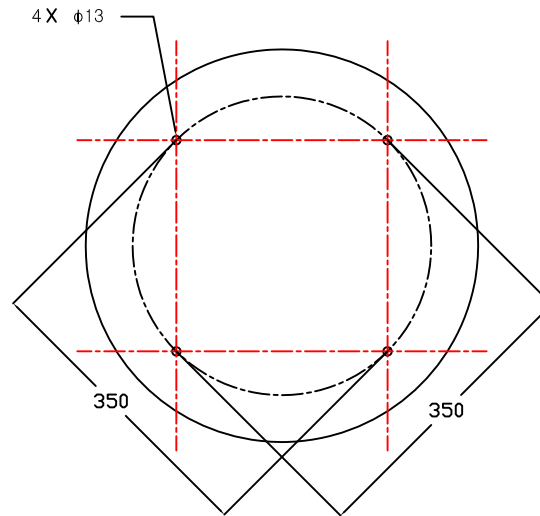


↑ **BOW**



Mounting Surface Patten(unit : mm)

Z6 Mounting Hole Diagram		-	-	-	-	x	x	-
Name		Q'ty	Material	Per Weight	Total Weight	Dimension		Reference
Designed by H.S. Lee	Checked by G.S.RYU	Approved B.W.JIN	Drawing No Z6A00		Date 2008. 05. 26			Scale -
 (주)한국네트워크시스템즈 Korea Network Systems		Model name SuperTrackZ6			Angle THIRD			
		Filename Z6A00_mounting hole diagram.dwg						